



ETB41RT

This telescopic platform is equipped with a fast charging lithium battery pack. This emissions free, energy-saving solution makes the unit suited for working in enclosed spaces. Its 4 steering modes make it particularly versatile: 4 wheel drive, 4 steering wheels, crab steering and U steering. The boom folds for transport so that the vehicle can be shipped in a container.



ZERO EMISSIONS

STANDARD EQUIPMENT

- Modular design with high compatibility of pieces within the whole range
- Proportional controls
- Flashing light
- Horn
- Hour counter
- Large opening facilitates maintenance
- Negative pressure brake with sensor
- Real-time on board software
- Platform Rotation Angle Monitoring
- Loose & Broken Chain Monitoring
- Fast & Slow Speed Monitoring
- Working Condition Monitoring
- Rexroth hydrostatic Drive System
- Harsh Environment Kits
- 12V/110A×2 Auxiliary Power

PERFORMANCE

- 4 Wheels Steering
- Four-wheel drive
- Automatic tire alignment while changing steering mode
- Patented expandable chassis
- In-situ axle expansion
- Differential Locking
- 360° rotation (continuous)
- Turret protection lock
- High Stiffness Boom
- Hydraulic oil radiator

BATTERY

- Lithium battery - Maintenance free
- Capacità batterie : 358.4V/200Ah
- Charger : 358.4V/32A
- Three-phase 380V
- Recharge cycle from 0 to 100% (hours)*: 12

SAFETY

- Drive enable system
- Platform load sense system
- On-board diagnostics system
- Tilt indicator with alarm
- Platform Bottoming Out Protection
- Descent and movement alarms
- Crushing protection
- Cat.3 Safety Architecture - ISO 13849-1

BASKET

- Self levelling platform
- Rotating basket +/-90°
- Power to platform

STANDARD EQUIPMENT



Construction



Large Events



Aircraft maintenance
Ship repair



Plant Service



Oil & gas



Restoration

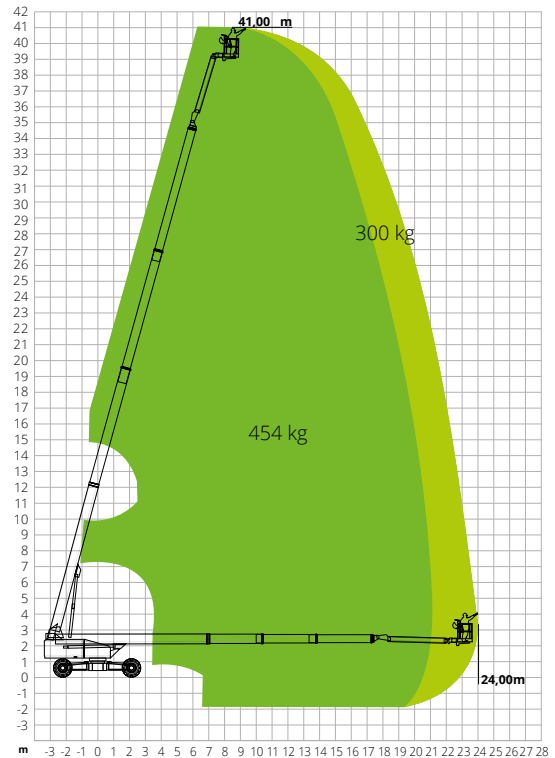
ETB41RT

| | |
|--|------------------------------------|
| Max. working height | 41.00 m |
| Max. basket height | 39.00 m |
| Max. reach | 24.00 m / 21.00 m |
| Max. platform load capacity | 300/454 kg |
| Max. Occupants | 3 |
| Max. gradeability (stowed) | 45% |
| Max. working slope | 5° |
| Max. wind speed | 12.5 m/s |
| Turning radius (outside) | 6.20 m |
| Turning radius (inside) | 2.45 m |
| Turret rotation (continuous) | 360° |
| Jib type | Regular |
| Jib length | 4.20 m |
| Jib movement | 75° |
| Jib vertical rotation | 240° |
| Basket width | 0.90 m |
| Basket length | 2.44 m |
| Basket rotation | 180° |
| Total weight | 20,400 kg |
| Travel speed (closed config.) | 5.0 km/h |
| Travel speed (working config.) | 0.80 km/h |
| Tyres | 445/50-D710 |
| Battery Type | Lithium battery - Maintenance free |
| Powersource | 358.4V/200Ah |
| Charger | 358.4V/32A |
| Charger type | Three-phase 380V |
| Recharge cycle from 0 to 100% (hours)* | 12 |
| Emergency power system | 12V/110Ax2 |
| Driving motors | - |
| Lifting motors | - |
| Engine pump | 360V/30kW |
| Hydraulic tank capacity | 150 l |
| Transmission | Hydrostatic |

*Experimental calculation. The count is affected by climate and usage of the machine.

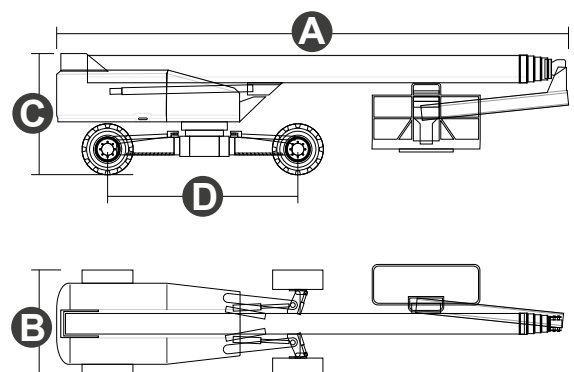
STANDARDS COMPLIANCE: EN 280, ANSI/SAIA A92.20

LOAD CHART



DIMENSIONS

| | |
|--|---------|
| A Platform length | 16.50 m |
| Platform length (transport) | 16.50 m |
| B Platform width (transport) | 2.50 m |
| Platform width (axle expanded) | 4.15 m |
| Platform width (axle retracted) | 2.45 m |
| C Platform height | 2.82 m |
| Platform height (transport) | 2.89 m |
| Platform width (axle expanded) | 4.07 m |
| D Platform width (axle retracted) | 4.30 m |
| Tailswing | 1.39 m |
| Ground clearance | 0.38 m |



#LIFTDIFFERENT

www.magnith.com



The data in this brochure are provided for the purposes of information and subject to change without notice.