

# TH

# 5.8 P

# 5.8

- **Extra low design** to access areas with low ceiling
- **Compact design** for unmatched manoeuvrability
- Available with **Deutz Stage V, IIIA** engines
- Available in two engine sizes, 55 kW and 75 kW to suit your needs
- **350 bar L/S** hydraulic system
- **4WD**

## MAIN SECTORS

---



INDUSTRY



CONSTRUCTION



MINING

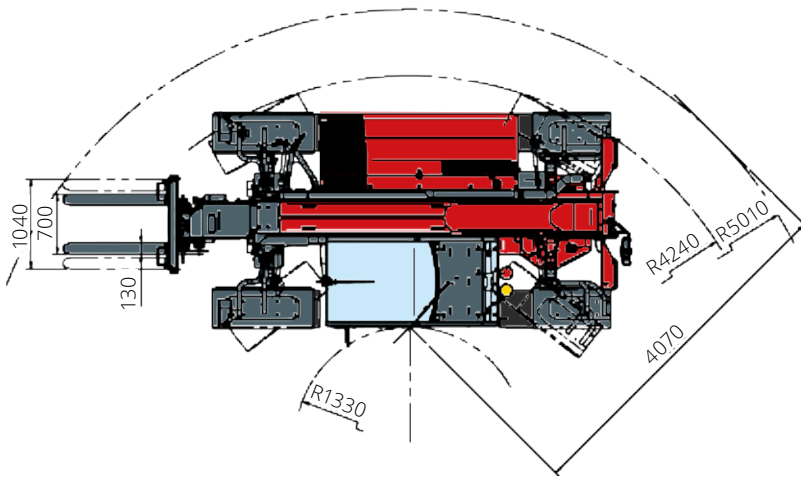
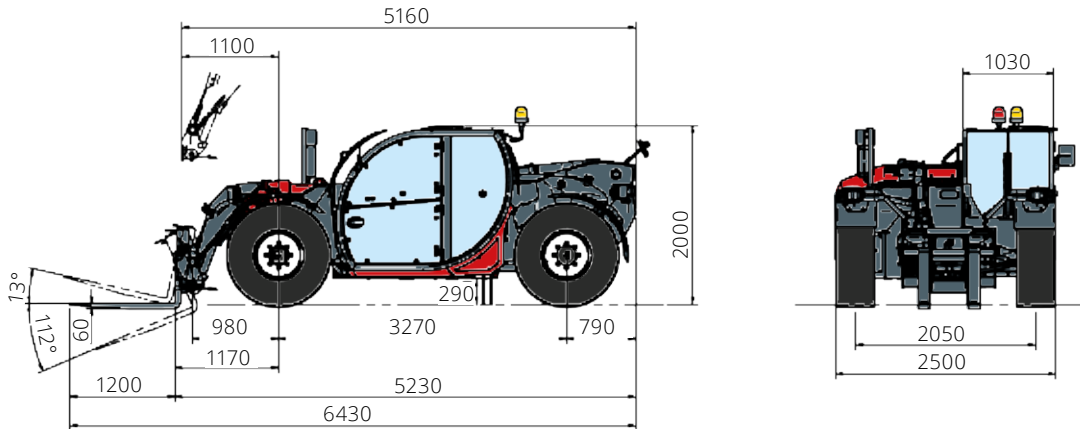


# TH 5.8 P / TH 5.8

## INDUSTRIAL VERSION

Machine model	TH 5.8 P		TH 5.8		
	Telescopic handler				
Maximum lifting capacity	5,000 kg (center of gravity 600 mm)		5,000 kg (center of gravity 600 mm)		
Maximum lifting height	7.60 m		7.60 m		
Engine	Type	Deutz TCD 3,6 L4 Stage V	Deutz TCD 3,6 L4 EDG Stage IIIA	Deutz TCD 3,6 L4 Stage V	Deutz TCD 3,6 L4 EDG Stage IIIA
	Rated power	74,4 kW (101,2 hp) @ 2,200 rpm		55,4 kW (75,3 hp) @ 2,200 rpm	
	Maximum torque	410 Nm @ 1,600 rpm		410 Nm @ 1,600 rpm	390 Nm @ 1,300 rpm
	Displacement	3.6 l		3.6 l	
	Cylinders	4 in line		4 in line	
	Engine configuration	Diesel direct injection turbocharged		Diesel direct injection turbocharged	
	Cooling system	Water – intercooler		Water – intercooler	
Transmission	Type	Hydrostatic		Hydrostatic	
	Model	Bosch Rexroth		Bosch Rexroth	
	Maximum pressure	500 bar		500 bar	
	Displacements	Electronically controlled variable displacement pump Variable displacement motor		Electronically controlled variable displacement pump Variable displacement motor	
	Gear box	Dropbox, 2 speeds forward-reverse		Dropbox, 2 speeds forward-reverse	
Axles and brakes	Type	Axles with planetary gearboxes		Axles with planetary gearboxes	
	Rear axle	Free oscillating		Free oscillating	
	Front axle	Steering		Steering	
	Service brake	Hydraulically operated wet multi-disk brakes on each axle		Hydraulically operated wet multi-disk brakes on each axle	
	Parking brake	Spring applied hydraulic release Multi-disk brake (S.A.H.R.)		Spring applied hydraulic release Multi-disk brake (S.A.H.R.)	
	Tyres dimensions	445/65 R22,5		445/65 R22,5	
Performance	Max. travel speed	40 km/h		40 km/h	
	Drawbar pull	72 kN		72 kN	
	Gradeability	83%		83%	
	Turning radius (end of forks)	5,010 mm		5,010 mm	
Weights	Total unladen	8,500 kg		8,500 kg	
	Front axle unladen (boom retracted and lowered)	4,230 kg		4,230 kg	
	Rear axle unladen (boom retracted and lowered)	4,370 kg		4,370 kg	
Tank and system capacities	Fuel tank	120 l		120 l	
	AdBlue	10 l		10 l	
	Hydraulic oil tank	90 l		90 l	
	Engine oil tank	9 l		9 l	
	Cooling liquid	20 l		20 l	
Hydraulic circuit for movements	Max. operating system pressure	350 bar		350 bar	
	Circuit type	Load sensing		Load sensing	
	Service pump	Bondioli & Pavesi Variable displacement		Bondioli & Pavesi Variable displacement	
	Controls for boom movements	Danfoss – Electro-proportional valve		Danfoss – Electro-proportional valve	
	Movements control	1 joystick Danfoss with FNR switch and dead man safety device - Management with CAN bus technology		1 joystick Danfoss with FNR switch and dead man safety device - Management with CAN bus technology	
Standard met	EN 1459-1: concerning standards for variable-reach trucks				
	EN 13000: concerning standards for mobile cranes				
	<i>Only for model TH 5.8 P</i> : EN 280: concerning standards for mobile elevating work platforms				
	FOPS Level 2 / ROPS				
UE 2016/1628: concerning engine emissions standards					

# TH 5.8 P / TH 5.8



Load chart  
on tyres

