

TH

5,5.24

- Available with 100 kW **Deutz Stage V and IIIA** engines
- Standard pivoting stabilisers for optimised lifting capacities up to 6 tonnes
- **350 bar L/S** hydraulic system
- **4WD**

MAIN SECTORS



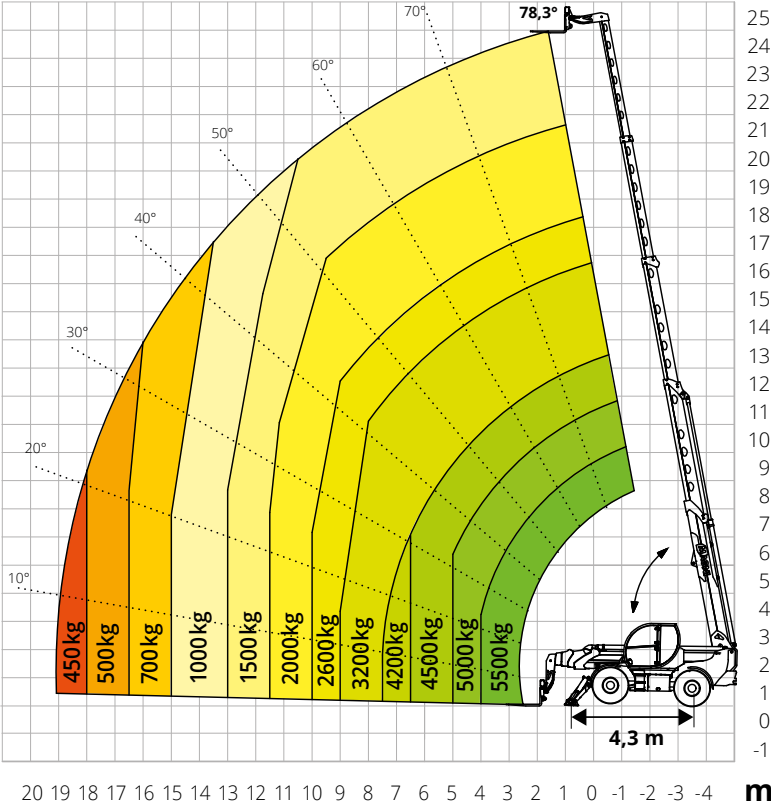
INDUSTRY



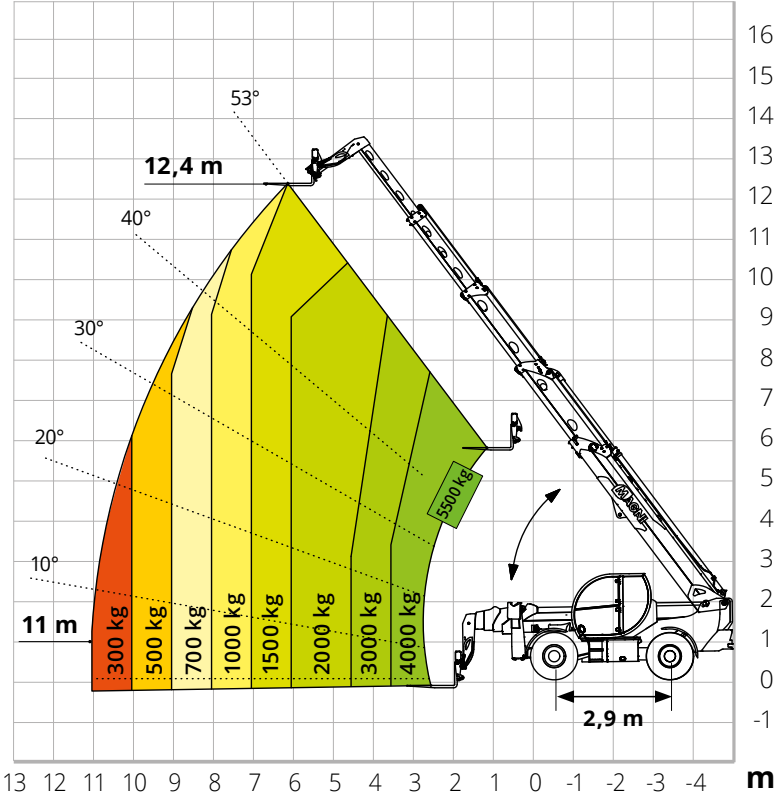
CONSTRUCTION



Load chart
**on fully
 extended
 stabilizers**



Load chart
on tyres



TH 5,5.24

Machine model	Telescopic handler	TH 5,5.24	
	Maximum lifting capacity	5.500 kg (center of gravity 600 mm)	
	Maximum lifting height	23.90 m	
Engine	Type	Deutz TCD 3,6 L4 Stage V	Deutz TCD 3,6 L4 Stage IIIA
	Rated power	100 kW (136 hp) @ 2,200 rpm	
	Maximum torque	500 Nm a 1,600 rpm	
	Displacement	3,6 l	
	Cylinders	4 in line	
	Engine configuration	Diesel direct injection turbocharged	
	Cooling system	Water – intercooler	
Transmission	Type	Hydrostatic	
	Model	Bosch Rexroth	
	Maximum pressure	500 bar	
	Displacements	Electronically controlled variable displacement pump Variable displacement motor	
	Gear box	Dropbox, 2 speeds forward-reverse	
Axles and brakes	Type	Axles with planetary gearboxes	
	Rear axle	Oscillating and steering with hydraulic locking	
	Front axle	Oscillating and steering with levelling +/- 8°	
	Service brake	Hydraulically operated wet multi-disk brakes on each axle	
	Parking brake	Spring applied hydraulic release Multi-disk brake (S.A.H.R.)	
	Tyres dimensions	445/65 R22,5	
	Max. travel speed	40 km/h	
Performance	Drawbar pull	68 kN	
	Gradeability	44 %	
	Turning radius (end of forks)	5,830 mm	
Weights	Total unladen	17,000 kg	
	Front axle unladen (boom retracted and lowered)	7,200 kg	
	Rear axle unladen (boom retracted and lowered)	9,800 kg	
	Fuel tank	150 l	
Tank and system capacities	AdBlue	10 l	
	Hydraulic oil tank	140 l	
	Engine oil tank	9 l	
	Cooling liquid	20 l	
	Max. operating system pressure	350 bar	
Hydraulic circuit for movements	Circuit type	Load sensing	
	Service pump	Danfoss / Rexroth – Variable displacement	
	Controls for boom movements	Danfoss – SIL 2 Electro-proportional valve	
	Controls for stabilizers	Bosch Rexroth – Electro-hydraulic actuators	
	Movements control	1 joystick Danfoss with FNR switch and dead man safety device - Management with CAN bus technology	

Standard met
 EN 1459-1: concerning standards for variable-reach trucks
 EN 13000: concerning standards for mobile cranes
 EN 280: concerning standards for mobile elevating work platforms
 FOPS Level 2 / ROPS
 UE 2016/1628: concerning engine emissions standards

TH 5,5.24

