

**IN**
OUT**4WD****2WS**

EAB16RT

Articulated boom lifts

STANDARD EQUIPMENT

- Oscillating front axle
- Two travel speeds
- Two-wheel steering
- Four-wheel drive
- 360° rotation (continuous)
- Special construction equipment-grade integral driveshaft
- Modular design making pieces compatible throughout the range
- Proportional controls
- Thumb rocker steering
- Flashing light
- Non-marking tyres
- Horn
- Hour counter
- Harsh environment kits
- 12V DC Auxiliary power

BATTERY

- TIANNENG - Lead-acid battery
- Battery capacity: 48 V/375 Ah
- Charger: 48V DC/60 A
- Single-phase 220 V
- Recharge time, 0 - 100% (hours)* 5
- Platform power socket

BASKET

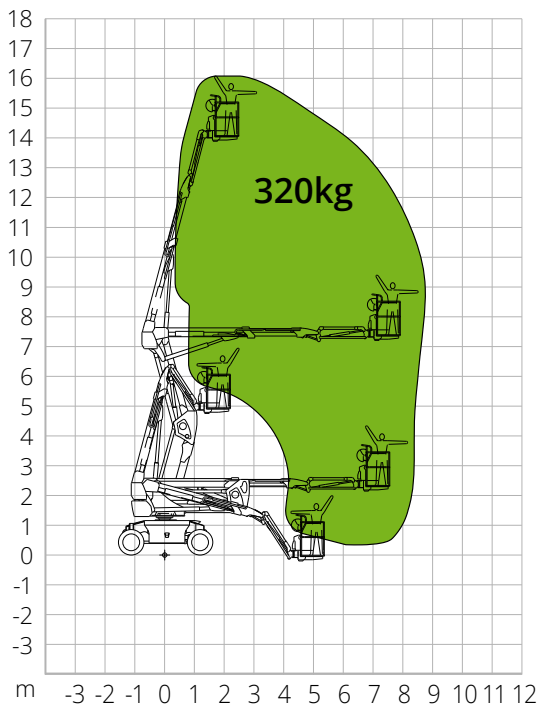
- Self-levelling
- Rotation +/-90°
- Schuko power socket 16A/250 V

SAFETY

- Drive enable system
- Platform load moment indicator
- On-board diagnostics system
- Emergency lowering system
- Tilt indicator with alarm
- Crushing protection

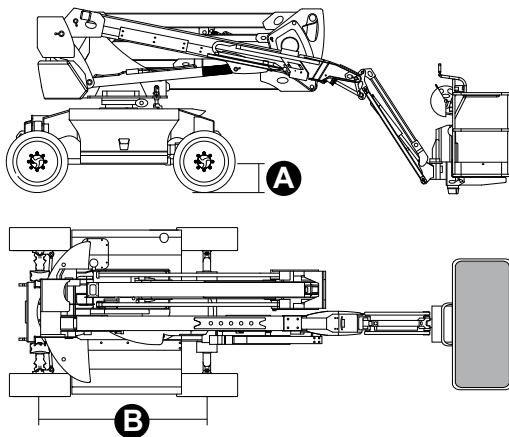
**CONSTRUCTION****LOGISTICS**

LOAD CHART



DIMENSIONS

| | |
|-----------------------------|-----------------|
| Platform length | - |
| Platform length (transport) | 5.17 m |
| Platform width (tyres) | - |
| Platform width (transport) | 2.44 m |
| Platform height | - |
| Platform height (transport) | 2.58 m |
| Wheelbase | B 2.40m |
| Tailswing | 0 m |
| Ground clearance | A 0.31 m |



EAB16RT

Technical data

| | |
|--------------------------|----------|
| Max. working height | 16.27 m |
| Max. basket height | 14.27 m |
| Articulation point | 7.30 m |
| Max. reach | 8.09 m |
| Turning radius (outside) | 4.73 m |
| Turning radius (inside) | 3.00 m |
| Basket width | 0.79 m |
| Basket length | 1.83 m |
| Basket rotation | 180° |
| Jib type | Standard |
| Jib length | 1.50 m |
| Jib Vertical Rotation | 132° |
| Below-ground height | 1.06 m |
| Below-ground reach | 7.25 m |
| Auxiliary power | 12 V DC |

Performance

| | |
|--------------------------------|-----------|
| Platform max. load capacity | 320 kg |
| Max. occupants | 2 |
| Max. gradeability (stowed) | 40% |
| Max. working slope | X-5°/Y-5° |
| Max. wind speed | 12.5 m/s |
| Travel speed (closed config.) | 6.0 km/h |
| Travel speed (working config.) | 1.1 km/h |
| Turret rotation (continuous) | 360° |

Engine

| | |
|-------------------------|-------------|
| Power | 34AC/9kW |
| Hydraulic tank capacity | 145 l |
| Transmission | Hydrostatic |

Specific characteristics

| | |
|----------------------------------|------------------------------|
| Tyres | 315/55D20 |
| Battery type | TIANNENG - Lead-acid battery |
| Battery capacity | 48V/375Ah |
| Charger | 48VDC/60A |
| Charger type | Single-phase 220 V |
| Recharge time, 0 - 100% (hours)* | 5 |
| Lifting motors | 34VAC/13kW |
| Total weight | 8,300 kg |

*Nominal. The actual value depends on weather and usage factors

STANDARDS COMPLIANCE: EN 280, ANSI/SAIA A92.20

The data given in this brochure are provided for information purposes and are subject to change without prior notice. All images are purely guideline and might not give an exact representation of the product.