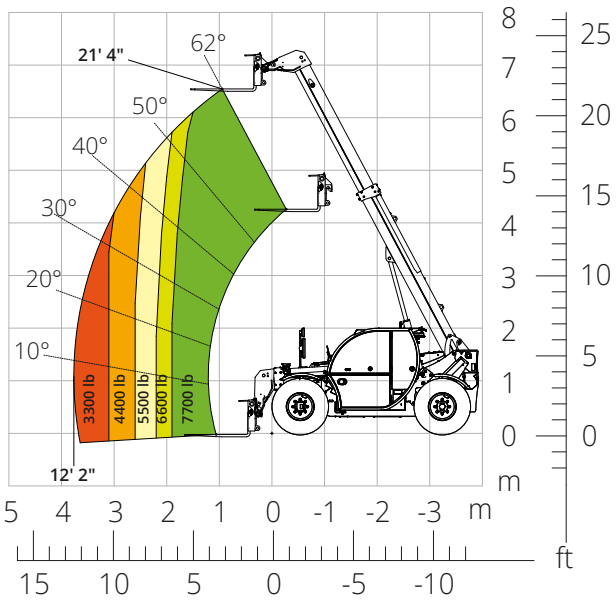


THA



7.21

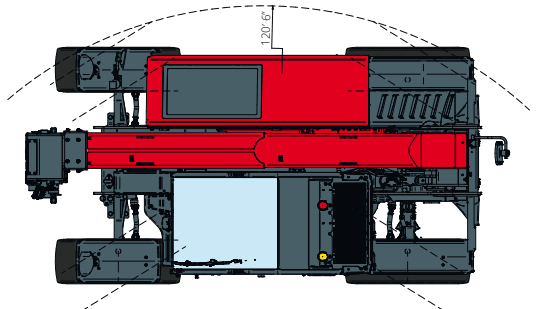
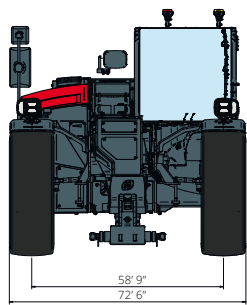
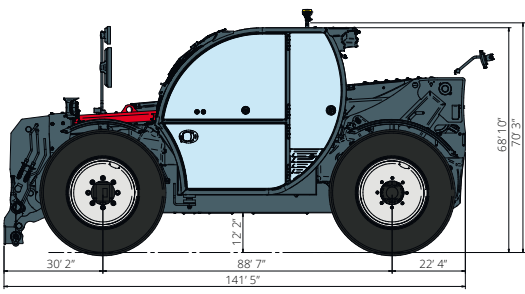
PRELIMINARY



Load chart on tyres



AGRICULTURE



Machine model	Telescopic handler	THA 7.21
	Maximum lifting capacity	7,700 lb
	Maximum lifting height	21' 4"
	Maximum reach	12' 2"
Engine	Model	Deutz TCD 3,6 L4 EDG - Stage IIIA Deutz TCD 3,6 L4 Stage V
	Rated power	85 kW (115 hp) at 2,600 rpm
	Maximum torque	460 Nm at 1,600 rpm
	Displacement	3.6 l
	Cylinders	4 in line
	Engine configuration	Turbocharged direct injection diesel
	Cooling system	Water
	Transmission	Type
Maximum pressure		500 bar
Gear box		Dropbox, 2 speeds forward-reverse
Axles and brakes		Type
	Front axle	Steering
	Rear axle	Free oscillation
	Lateral shifting	-
	No. of driving/steering wheels	4WD - 4WS
	Steering mode	Frontal/Concentric/Crab
	Service brake	Wet multi-disk on front and rear axle
	Parking brake	Hydraulic with negative action on front axle
	Tyre sizes	405/75 R20
	Performance	Max. travel speed
Turning radius (over tyres)		10' 6"
Tractive effort		7,100 daN
Weights	Total unladen*	23,150 lb
Tank and system capacities	Diesel fuel	20 U.S. gal
	AdBlue	-
	Hydraulic fluid	25 U.S. gal
	Engine oil	2.4 U.S. gal
	Coolant	4 U.S. gal
Hydraulic circuit for movements	Circuit type	Load sensing
	Service pump	Variable displacement
	Max. hydraulic flow rate	90 l/min
	Max. boom head flow rate	75 l/min
	Max. operating system pressure	315 bar
	Controls for boom movements	Compensated electro-proportional valve
	Movements control	1 joystick with integrated manoeuvre enable
Road type approval	167/2013: Mother Regulation	T1a
Standard met	2006/42/EC: EU Machinery Directive 2000/14/EC: Noise Directive EN 1459-1: Relating to standards on the safety requirements for variable reach machines EN 280-1: standards relating to mobile elevating work platforms (if available) 2014/30/EU: EMC Directive ROPS/level 2 FOPS: relating to the standards for protective structures	

The data given in this brochure are provided for information purposes and are subject to change without prior notice.

All images are purely guideline and might not give an exact representation of the product.

*the stated weight refers to the vehicle unladen with standard equipment and may vary depending on the chosen configuration.