

**IN**
OUT

EAB11AC

Articulated boom lifts

STANDARD EQUIPMENT

- 4x2 drive
- Automatic braking system
- Proportional controls
- Flashing light
- Horn
- Hour counter
- Work light
- Footswitch
- Charge level gauge
- Anchoring eyebolts

BATTERY

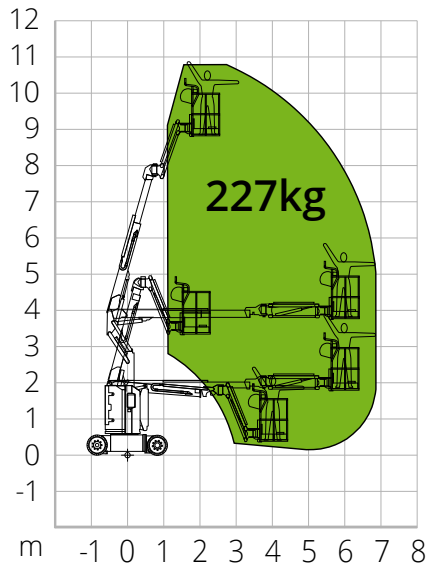
- Lead-acid battery
- Battery capacity: 48V/300Ah
- Charger: 48V/35A

SAFETY

- Drive enable system
- Platform load moment indicator
- On-board diagnostics system
- Emergency lowering system
- Tilt indicator with alarm
- Lowering and travel alarms
- Charging protection system
- manual emergency brake release
- Tie-down and lifting points
- Emergency stop button
- Explosion-proof tubing system

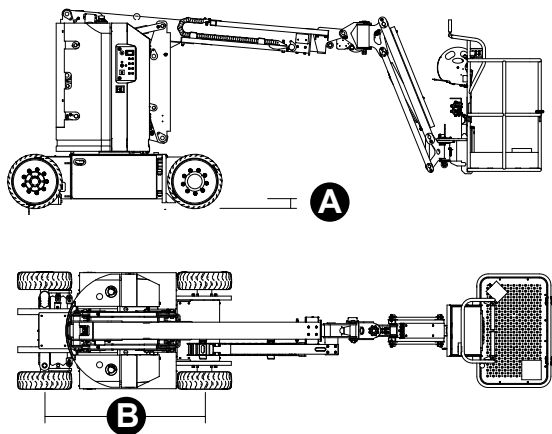
**CONSTRUCTION****LOGISTICS**

LOAD CHART



DIMENSIONS

Platform length	5.52 m
Platform length (transport)	3.90 m
Platform width (transport)	1.20 m
Platform height	2.00 m
Platform height (transport)	-
Wheelbase	B 1.65 m
Ground clearance	A 0.09 m



EAB11AC

Technical data

Max. working height	10.80 m
Max. basket height	8.80 m
Articulation point	3.80 m
Max. reach	6.95 m
Turning radius (inside)	1.50 m
Turning radius (outside)	3.20 m
Basket length	1.17 m
Basket width	0.76 m
Basket rotation	180°
Jib Vertical Rotation	139°

Performance

Platform max. load capacity	227 kg
Max. occupants	2
Max. gradeability (stowed)	0.35
Max. working slope	2.5°/4.5°
Travel speed (closed config.)	4.8 km/h
Travel speed (working config.)	0.8 km/h
Turret rotation	355°

Total weight

6,660 kg

Specific characteristics

Tyres	22x7
Battery type	Lead-acid battery
Battery capacity	48V/300Ah
Charger	48V/35A
Driving motor	2x32VAC/3.3kW
Lifting motor	30VAC/5.0kW
Recharge time, 0 -100% (hours)*	-

*Nominal. The actual value depends on weather and usage factors

STANDARDS COMPLIANCE: EN280-1-1, ANSI/SAIA A92.20

The data given in this brochure are provided for information purposes and are subject to change without prior notice. All images are purely guideline and might not give an exact representation of the product.