



# ES0607DC-XD

Paved surface scissor lift

## STANDARD EQUIPMENT

- Automatic tipping protection system underneath body
- Self-locking door on platform
- Speed limit at full height
- Platform load sense system
- Emergency brake release
- Drivable at full height
- Automatic braking system
- Non-marking tyres
- Tilt indicator with alarm
- Warning siren during lowering and dual flashing LED light
- Safety bracket for maintenance operations
- Horn
- Emergency stop button
- Emergency lowering system
- Anchoring eyebolts
- On-board diagnostics system
- Hour counter
- Proportional controls
- Maintenance free battery
- Motion alarm
- Integral front and side holes for forklift transportation
- Charging protection system
- Charge level gauge
- Tie-down and lifting points
- Unidirectional platform extension
- Two-wheel drive
- Two-wheel steering



LOGISTICS



CONSTRUCTION

## ES0607DC-XD

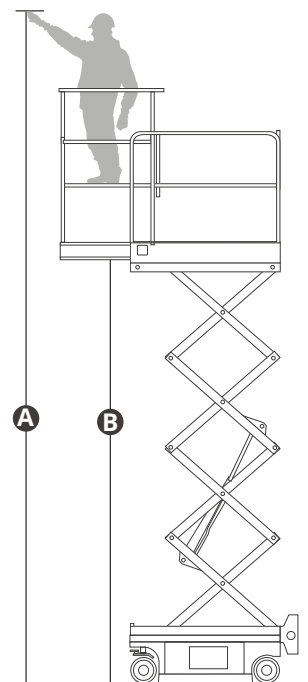
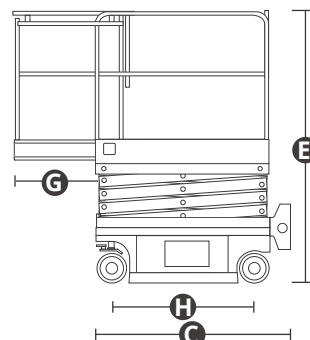
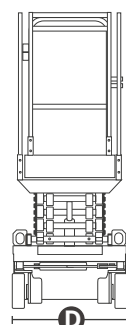
Load capacity		240 kg
Load capacity on extended platform		100 kg
Max. occupants (inside/outside)		2/1
Max. occupants with platform raised (inside/outside)		1/1
Max. working height (inside)	A	6.10 m
Platform floor level height (inside)	B	3.60 m
Max. working height (outside)		5.00 m
Platform floor level height (outside)	C	3.00 m
Overall length	D	1,44 m
Overall width	E	0.76 m
Overall height		1.98 m
Transport height (rails down)		-
Platform dimensions (length/width)		1,28 / 0,70 m
Platform extension	G	0,60 m
Ground clearance (stowed)		0.06 m
Ground clearance (raised)		0.015 m
Wheelbase	H	1.05 m
Turning radius (inside)		0.40 m
Turning radius (outside)		1.55 m
Driving motors		2×24VDC/0.4kW
Lifting motors		24VDC/1.2kW
Travel speed (stowed)		4.0 km/h
Travel speed (raised)		0.4 km/h
Batteries		AGM batteries Maintenance-free 24 V/85Ah
Hydraulic tank		3 l
Integrated battery charger		24V/15A
Gradeability		25%
maximum working slope		1.5°/3°
Non-marking tyres		230x80 mm
Weight (CE)		940 kg



Non-marking solid tyres



Safety bracket



### STANDARDS MET: EN 280-1, ANSI/SAIA A92.20

The data given in this brochure are provided for information purposes and are subject to change without prior notice. All images are purely guideline and might not give an exact representation of the product.