

**IN**
OUT**4WD****2WS**

MHTB22RT

Telescopic boom lifts



STANDARD EQUIPMENT

- Oscillating front axle
- Two travel speeds
- Two-wheel steering
- Four-wheel drive
- 360° rotation (continuous)
- Special construction equipment-grade integral driveshaft
- Proportional controls
- Thumb rocker steering
- Flashing light
- Non-marking tyres
- Horn
- Hour counter
- Harsh environment kits
- 12V DC Auxiliary power

ENGINE

- Stage V engine
- Auto-engine fault shutdown
- Anti-reverse engine device
- Anti-restart engine protection
- Hydraulic oil radiator

BASKET

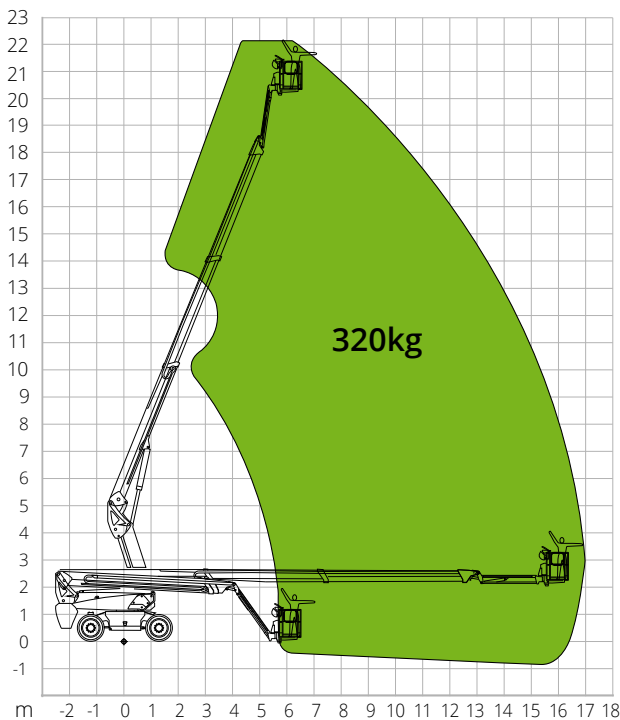
- Self-levelling
- Rotation +/-90°
- Schuko power socket 16A/250V

SAFETY

- Drive enable system
- Platform load moment indicator
- On-board diagnostics system
- Emergency lowering system
- Tilt indicator with alarm
- Crushing protection

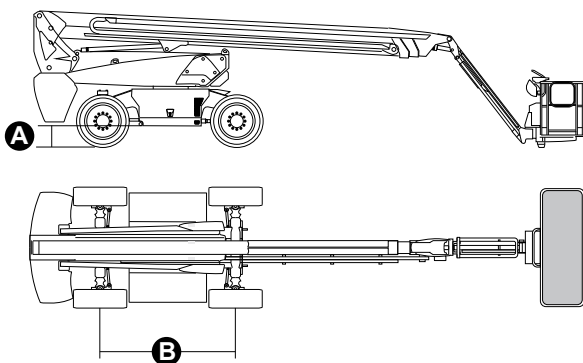
**CONSTRUCTION****LOGISTICS**

LOAD CHART



DIMENSIONS

| | |
|---------------------------------|-----------------|
| Platform length (transport) | 6.75 m |
| Platform width (transport) | 2.44 m |
| Platform width (axle expanded) | - |
| Platform width (axle retracted) | - |
| Platform height (transport) | 2.70 m |
| Wheelbase | B 2.40 m |
| Wheelbase (axle extended) | - |
| Wheelbase (axle retracted) | - |
| Tailswing | - |
| Ground clearance | A 0.31 m |



STANDARDS COMPLIANCE: EN 280-1, ANSI/SAIA A92.20

The data given in this brochure are provided for information purposes and are subject to change without prior notice. All images are purely guideline and might not give an exact representation of the product.

MHTB22RT

Technical data

| | |
|--------------------------|----------|
| Max. working height | 22.22 m |
| Max. basket height | 20.22 m |
| Max. reach | 15.41 m |
| Turning radius (outside) | 4.73 m |
| Turning radius (inside) | 3.00 m |
| Basket width | 0.79 m |
| Basket length | 1.83 m |
| Basket rotation | 180° |
| Jib type | Standard |
| Jib length | 1.50 m |
| Jib Vertical Rotation | 132° |
| Jib travel angle | - |
| Auxiliary power | 12V DC |

Performance

| | |
|--------------------------------|-----------|
| Platform max. load capacity | 320 kg |
| Max. occupants | 2 |
| Max. gradeability (stowed) | 40% |
| Max. working slope | X-5°/Y-5° |
| Max. wind speed | 12.5 m/s |
| Travel speed (closed config.) | 6.0 km/h |
| Travel speed (working config.) | 1.1 km/h |
| Turret rotation (continuous) | 360° |

Engine

| | |
|-------------------------|-----------------------|
| Power | Kubota D1 105/18.2 kW |
| Diesel tank capacity | 115 l |
| Hydraulic tank capacity | 145 l |
| Transmission | Hydrostatic |

Total weight

| | |
|---------------------------------|-----------------|
| Total weight | 9,150 kg |
| Specific characteristics | |
| Tyres | 315/55D20 |
| Battery type | Lithium battery |
| Battery capacity | 80VDC/67.5Ah |